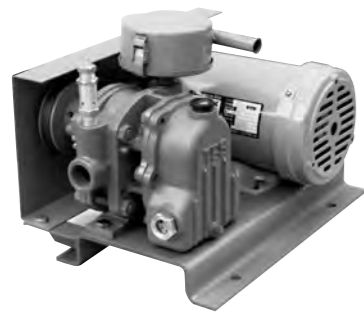


SERIES
RS

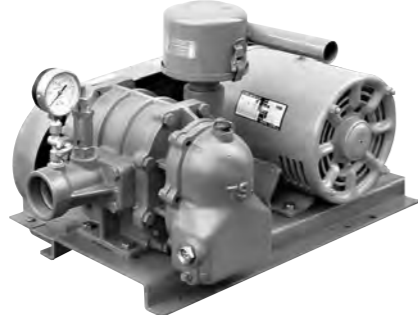
ROTARY AIR BLOWERS



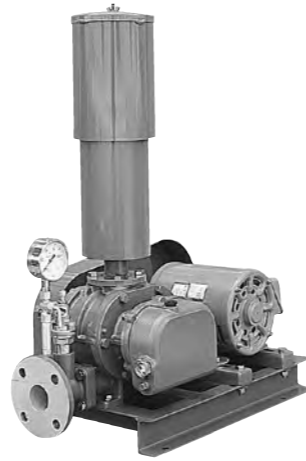
Horizontal type — Works as it should for a wide variety of applications.



RSS
(Discharge Bore 20, 25, 32mm)



RSA
(Discharge Bore 40, 50, 65mm)



RSR
(Discharge Bore 50, 65, 80, 100, 125, 150mm)

Applications

- Aeration at water treatment facilities;
- Stirring of various waste liquids and sewage to prevent putrefaction and scum;
- Oxygen supply at aquariums and fish farms.

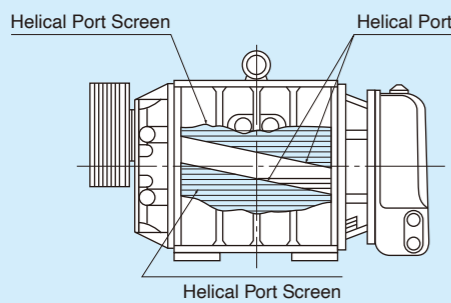
Virtues

- The rush of suction or discharge has been tamed resulting in greatly reduced impact noise and pulsation noise.
- Minimized operation noise, even and stable performance plus outstanding durability.
- Compact design for space economy and effortless maintenance services.

Structural Features

Innovative helical intake / outlet

Conventional blowers were designed to discharge the air from the casing in a gust. This caused violent impact and pulsation and resultant noise. Tsurumi blowers have helical structure at the intake and the outlet. This makes the air virtually pass through a gradually closing suction port or gradually opening discharge port. The result is remarkably reduced pulsation noise.

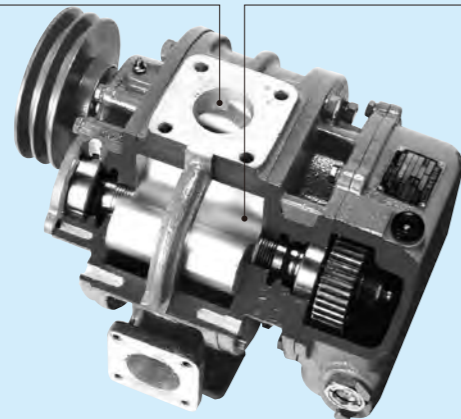


Special silencer and 3-lobe rotor

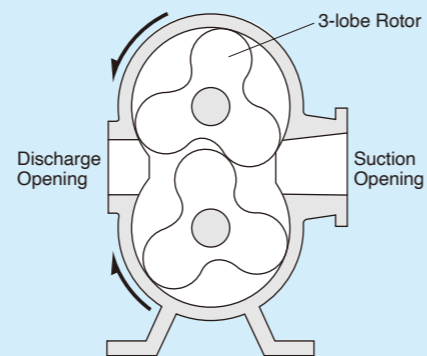
A specially prepared silencer absorbs a broad range of noise frequencies from low to high. The air flow rate and pressure characteristics have been greatly upgraded by the adoption of a 3-lobe rotor with each blade deliberately displaced as to thrust direction to avoid mutual contact.



Helical Port



Rotor



Major Components & Specifications

Item	Discharge bore (mm)											
	20	25	32	40	50	65	80	100	125	150		
Treating fluid	Type of fluid	Air										
	Fluid temperature	0~40°C										
Blower	Structure	Rotor	3-lobe rotor									
		Shaft seal	Labyrinth									
		Bearing	Shielded ball bearing									
	Materials	Rotor	Gray Cast Iron									
Casing		Gray Cast Iron										
Shaft		Carbon steel										
Motor	Type, Pole	Drip-proof / Totally enclosed motor, 4-pole										
	Insulation	E										
	Phase	Single-phase (0.4kW only) Three-phase										
Discharge connection		RSS & RSA / Screw (ISO Rc-type) RSR / JIS 10kg/cm ² flange										

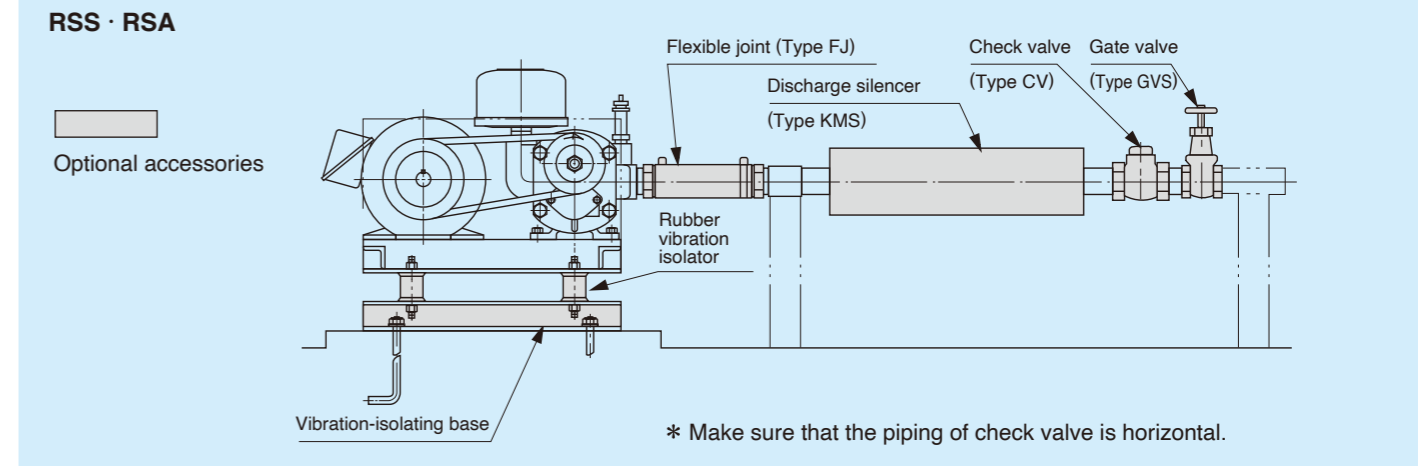
Standard Accessories

- Common base 1 pc.
- Silent Air Cleaner (RSS, RSA) 1 set
- Suction silencer (with air filter, RSR) 1 set
- Safety valve 1 set
- Pressure gauge (RSA, RSR) 1 set

Optional Accessories

- Discharge silencer
- Flexible joint
- Gate valve
- Check valve
- Rubber vibration isolator (with vibration-isolating base)

Reference Drawing for Piping (Example)



HOW TO USE THE SELECTION TABLE

Information about 50/60Hz Selection Tables

These tables indicate the relationships among blower models, bores, rpm, discharge pressure, actual air flow rates, and shaft power.

1. The amounts of air indicated in the tables represent suction amounts under the following standard suction conditions: temperature, 20°C; absolute pressure, 101.3kPa {1.033kgf / cm²}, relative humidity, 65%.
2. The amounts of air under reference suction conditions (temperature, 0°C; absolute pressure, 101.3kPa {1.033kgf / cm²}) can be converted into the amounts of air under the standard suction conditions by the formula below if the suction pressures are the same:

$$Q_s = Q_n \times \frac{273 + t_s}{273}$$

where
 Q_s , amount of air (m³ / min) under standard suction conditions indicated on the Selection Tables;
 Q_n , amount of air (m³ / min) under reference suction conditions;
 t_s , suction temperature in °C.

3. To convert the amounts of air under discharge conditions into the amounts of air under the standard suction conditions indicated on the Selection Tables, use the following formula:

$$Q_s = Q_d \times \frac{101.3 + P_d}{101.3} \times \frac{273 + t_s}{273 + t_d}$$

where
 Q_d , amount of air (m³ / min) under discharge conditions;
 P_d , discharge pressure (kPa);
 t_s , suction temperature in °C;
 t_d , discharge temperature in °C.

4. Using the amount of air and the necessary discharge pressure obtained from the above mathematics, determine your blower model, bore, rpm, and shaft power in reference to the Selection Tables.
5. Your selectable range can be overlapped over several models. It is recommended that the one with a younger model number for cost economy, or with a larger model number for lower noise, be selected.
6. Motor output is identified by color on the Selection Tables. Select a suitable color motor from these tables.

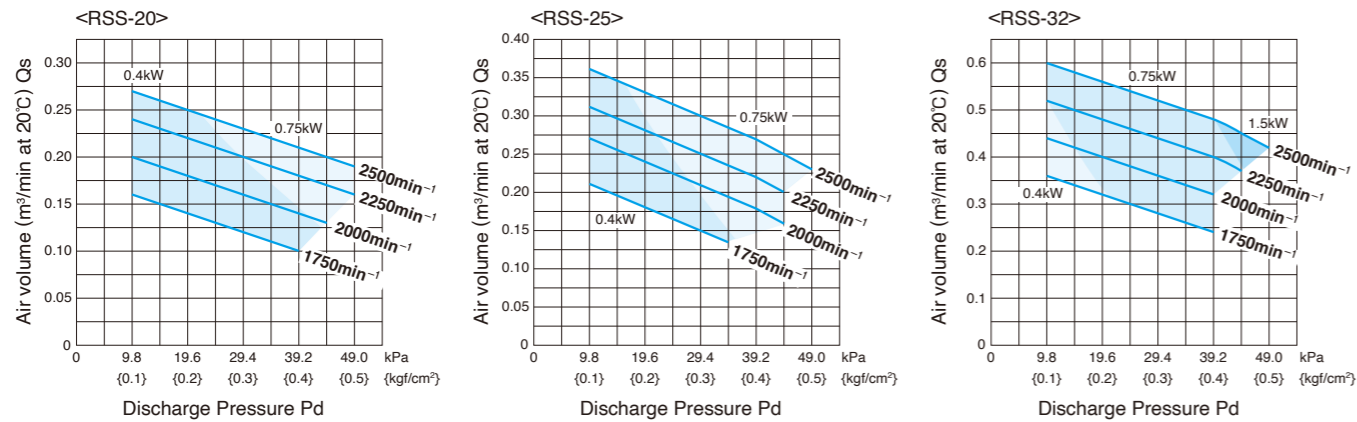
RSS SERIES

Selection Table

Model (Discharge bore mm)	Speed (min ⁻¹)	Suction air volume at 20°C (Qs, m ³ /min) and required power (La, kW)										
		9.8kPa		19.6kPa		29.4kPa		39.2kPa		49.0kPa		
		{0.1kgf/cm ² }	{0.2kgf/cm ² }	{0.3kgf/cm ² }	{0.4kgf/cm ² }	{0.5kgf/cm ² }	Qs	La	Qs	La	Qs	La
RSS-20 (20)	1750	0.16	0.20	0.14	0.24	0.12	0.28	0.10	0.32	—	—	
	2000	0.20	0.23	0.18	0.27	0.16	0.31	0.14	0.35	—	—	
	2250	0.24	0.26	0.22	0.31	0.20	0.35	0.18	0.40	0.16	0.46	
	2500	0.27	0.29	0.25	0.34	0.23	0.39	0.21	0.44	0.19	0.50	
Corresponding motor output		0.4kW					0.75kW					
RSS-25 (25)	1750	0.21	0.23	0.18	0.27	0.15	0.32	—	—	—	—	
	2000	0.27	0.26	0.24	0.31	0.21	0.37	0.18	0.43	—	—	
	2250	0.31	0.30	0.28	0.35	0.25	0.42	0.22	0.49	—	—	
	2500	0.36	0.33	0.33	0.39	0.30	0.46	0.27	0.54	0.23	0.62	
Corresponding motor output		0.4kW					0.75kW					
RSS-32 (32)	1750	0.36	0.27	0.32	0.34	0.28	0.42	0.24	0.50	—	—	
	2000	0.44	0.31	0.40	0.39	0.36	0.48	0.32	0.57	—	—	
	2250	0.52	0.35	0.48	0.44	0.44	0.54	0.40	0.64	—	—	
	2500	0.60	0.39	0.56	0.49	0.52	0.60	0.48	0.71	0.42	0.86	
Corresponding motor output		0.4kW					0.75kW					1.5kW

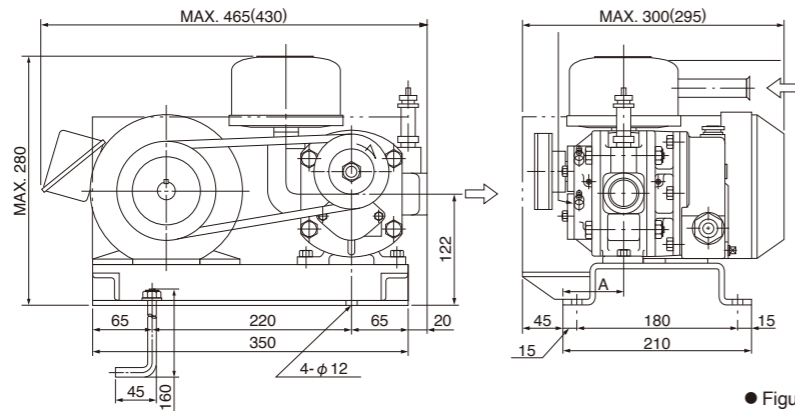
• The above motors have been selected with minimum 5% margin.

Performance curves



Dimensions Unit : mm

RSS-20
RSS-25
RSS-32



● Figure in () shows the dimensions of 0.4 kW.

Table of dimensions Unit : mm

Model	A	Weight kg
RSS-20	60	19
RSS-25	67	20
RSS-32	80	22

● Weight excluding motor

Motor weight table Unit : kg

Motor output (kW)	0.4	0.75	1.5
Drip-proof (single-phase)	11.6	—	—
Drip-proof (three-phase)	7	—	—
Totally-enclosed (three-phase)	8	16	22

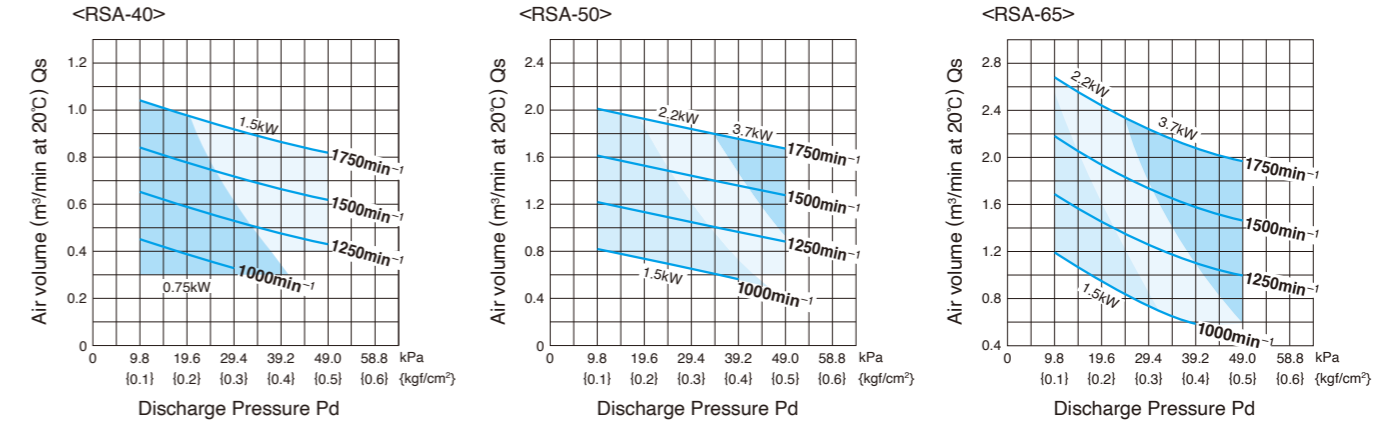
RSA SERIES

Selection Table

Model (Discharge bore mm)	Speed (min ⁻¹)	Suction air volume at 20°C (Qs, m ³ /min) and required power (La, kW)									
		9.8kPa		19.6kPa		29.4kPa		39.2kPa		49.0kPa	
		{0.1kgf/cm ² }	{0.2kgf/cm ² }	{0.3kgf/cm ² }	{0.4kgf/cm ² }	{0.5kgf/cm ² }	Qs	La	Qs	La	Qs
RSA-40 (40)	1000	0.45	0.32	0.39	0.40	0.33	0.52	—	—	—	—
	1250	0.65	0.40	0.59	0.50	0.53	0.65	0.48	0.80	0.43	0.99
	1500	0.84	0.48	0.78	0.60	0.72	0.78	0.67	0.96	0.62	1.18
	1750	1.04	0.56	0.98	0.70	0.92	0.91	0.87	1.11	0.82	1.38
Corresponding motor output		0.75kW					1.5kW				
RSA-50 (50)	1000	0.82	0.64	0.73	0.80	0.65	1.04	0.57	1.28	—	—
	1250	1.22	0.80	1.13	1.00	1.05	1.30	0.97	1.60	0.89	1.97
	1500	1.61	0.96	1.52	1.20	1.44	1.56	1.36	1.92	1.28	2.36
	1750	2.01	1.12	1.92	1.40	1.84	1.82	1.76	2.22	1.68	2.76
Corresponding motor output		1.5kW				2.2kW			3.7kW		
RSA-65 (65)	1000	1.19	0.80	0.94	1.00	0.75	1.30	0.59	1.60	—	—
	1250	1.69	1.00	1.45	1.25	1.26	1.63	1.10	2.00	0.99	2.45
	1500	2.18	1.20	1.93	1.50	1.74	1.95	1.58	2.40	1.47	2.95
	1750	2.68	1.40	2.43	1.75	2.24	2.28	2.08	2.78	1.97	3.45
Corresponding motor output		1.5kW				2.2kW			3.7kW		

• The above motors have been selected with minimum 5% margin.

Performance curves



Dimensions Unit : mm

RSA-40
RSA-50
RSA-65

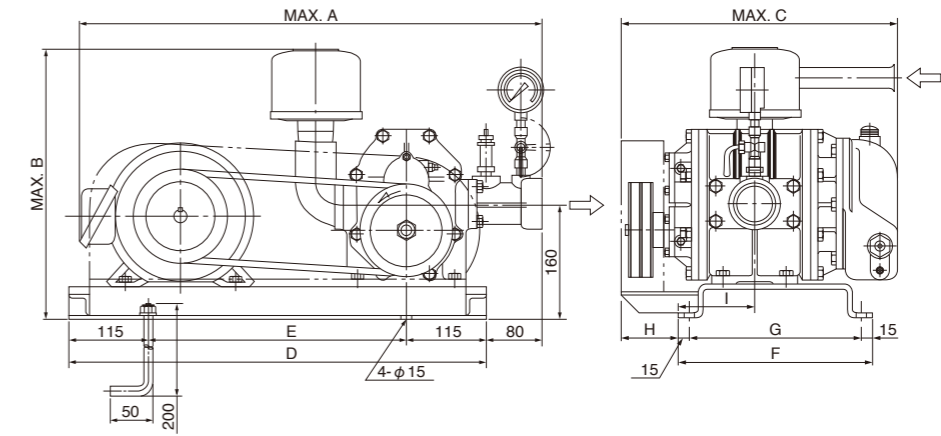


Table of dimensions Unit : mm

Model	A	B	C	D	E	F	G	H	I	Weight kg
RSA-40	685	360	350	550	320	250	220	60	85	42
RSA-50	745	380	410	600	370	280	250	80	110	61
RSA-65	745	380	410	600	370	280	250	80	130	64

● Weight excluding motor

Motor weight table Unit : kg

Motor output (kW)	0.75	1.5	2.2	3.7
Totally-enclosed	16	22	30	40

Selection Table

Model (Discharge bore mm)	Speed (min ⁻¹)	Suction air volume at 20°C (Qs, m ³ /min) and required power (La, kW)																							
		9.8kPa		14.7kPa		19.6kPa		24.5kPa		29.4kPa		34.3kPa		39.2kPa		44.1kPa		49.0kPa		53.9kPa		58.8kPa			
		Qs	La	Qs	La	Qs	La	Qs	La	Qs	La	Qs	La	Qs	La	Qs	La	Qs	La	Qs	La	Qs	La		
RSR-50 (50)	1100	1.19	0.26	1.13	0.40	1.08	0.54	1.03	0.68	0.99	0.82	0.95	0.96	0.92	1.10	0.89	1.24	0.86	1.38	—	—	—	—		
	1230	1.36	0.36	1.30	0.51	1.25	0.66	1.20	0.81	1.16	0.96	1.12	1.11	1.08	1.26	1.05	1.41	1.02	1.56	0.99	1.71	—	—		
	1350	1.51	0.47	1.46	0.63	1.41	0.79	1.36	0.95	1.32	1.11	1.28	1.27	1.24	1.43	1.20	1.59	1.17	1.75	1.13	1.91	—	—		
	1470	1.68	0.63	1.63	0.79	1.59	0.95	1.54	1.11	1.50	1.28	1.46	1.44	1.43	1.60	1.39	1.76	1.35	1.93	1.32	2.09	1.29	2.26		
	1560	1.81	0.75	1.77	0.91	1.73	1.08	1.69	1.24	1.65	1.41	1.61	1.57	1.58	1.74	1.54	1.90	1.50	2.07	1.47	2.23	1.43	2.40		
	1660	1.93	0.80	1.89	0.98	1.85	1.16	1.81	1.33	1.77	1.51	1.73	1.69	1.69	1.87	1.65	2.05	1.61	2.23	1.58	2.40	1.54	2.58		
	1750	2.04	0.85	2.00	1.04	1.96	1.23	1.92	1.42	1.88	1.61	1.84	1.80	1.80	1.99	1.76	2.18	1.72	2.37	1.68	2.56	1.64	2.75		
	1850	2.17	0.99	2.13	1.18	2.09	1.37	2.05	1.57	2.01	1.76	1.97	1.95	1.93	2.14	1.89	2.34	1.85	2.53	1.81	2.71	1.77	2.91		
	1960	2.32	1.14	2.28	1.34	2.24	1.53	2.20	1.73	2.16	1.92	2.12	2.12	2.08	2.31	2.04	2.51	2.00	2.70	1.96	2.90	1.92	3.09		
	2120	2.52	1.41	2.47	1.62	2.42	1.82	2.38	2.03	2.33	2.23	2.29	2.44	2.24	2.64	2.20	2.85	2.16	3.05	2.12	3.26	2.08	3.46		
Corresponding motor output		0.75kW				1.5kW				2.2kW				3.7kW				—				—			
RSR-65 (65)	1110	1.67	0.63	1.58	0.80	1.50	0.97	1.43	1.14	1.37	1.31	1.32	1.48	1.27	1.65	1.22	1.82	1.17	1.99	—	—	—	—		
	1240	1.91	0.70	1.84	0.89	1.76	1.08	1.68	1.27	1.62	1.46	1.56	1.65	1.51	1.84	1.46	2.03	1.41	2.22	1.36	2.41	—	—		
	1360	2.14	0.80	2.07	1.01	2.00	1.22	1.93	1.43	1.87	1.64	1.81	1.85	1.76	2.06	1.70	2.27	1.65	2.48	1.60	2.69	—	—		
	1460	2.35	0.88	2.27	1.11	2.20	1.33	2.13	1.55	2.07	1.78	2.01	2.00	1.96	2.22	1.90	2.45	1.85	2.67	1.80	2.90	1.76	3.13		
	1550	2.54	0.96	2.46	1.20	2.39	1.43	2.32	1.67	2.25	1.90	2.19	2.14	2.14	2.37	2.08	2.61	2.03	2.84	1.98	3.08	1.94	3.31		
	1670	2.75	1.05	2.68	1.31	2.62	1.56	2.56	1.82	2.49	2.07	2.43	2.33	2.38	2.58	2.33	2.83	2.28	3.08	2.23	3.34	2.19	3.59		
	1770	2.94	1.13	2.88	1.40	2.82	1.67	2.76	1.94	2.70	2.21	2.64	2.48	2.59	2.75	2.54	3.02	2.49	3.29	2.45	3.56	2.41	3.83		
	1860	3.13	1.24	3.07	1.52	3.00	1.80	2.94	2.08	2.88	2.36	2.82	2.65	2.76	2.93	2.71	3.22	2.66	3.50	2.61	3.78	2.57	4.07		
	1980	3.39	1.38	3.32	1.68	3.25	1.98	3.18	2.28	3.12	2.57	3.06	2.87	3.00	3.18	2.94	3.48	2.89	3.78	2.84	4.08	2.80	4.38		
	2150	3.65	1.60	3.58	1.93	3.52	2.25	3.46	2.58	3.40	2.90	3.34	3.23	3.28	3.55	3.22	3.88	3.17	4.20	3.12	4.53	3.08	4.85		
Corresponding motor output		1.5kW				2.2kW				3.7kW				5.5kW				—							
RSR-80 (80)	1130	2.99	0.77	2.93	1.10	2.86	1.43	2.80	1.76	2.73	2.09	2.67	2.42	2.61	2.75	2.55	3.08	2.50	3.41	2.45	3.74	2.41	4.07		
	1240	3.36	0.89	3.29	1.28	3.22	1.63	3.16	1.99	3.09	2.34	3.03	2.70	2.97	3.05	2.92	3.41	2.86	3.76	2.81	4.12	2.76	4.47		
	1300	3.56	1.03	3.49	1.40	3.42	1.77	3.36	2.14	3.29	2.50	3.23	2.88	3.17	3.24	3.12	3.62	3.06	3.98	3.01	4.35	2.96	4.72		
	1370	3.80	1.16	3.74	1.55	3.67	1.93	3.60	2.32	3.53	2.70	3.47	3.09	3.41	3.47	3.36	3.86	3.30	4.24	3.25	4.63	3.20	5.01		
	1470	4.12	1.30	4.04	1.72	3.97	2.13	3.90	2.55	3.83	2.96	3.77	3.38	3.71	3.79	3.66	4.21	3.60	4.62	3.55	5.04	3.50	5.45		
	1570	4.42	1.51	4.35	1.94	4.27	2.37	4.22	2.80	4.15	3.23	4.10	3.66	4.04	4.09	3.99	4.52	3.93	4.95	3.89	5.38	3.84	5.81		
	1660	4.72	1.69	4.65	2.14	4.58	2.59	4.52	3.04	4.45	3.49	4.40	3.94	4.34	4.39	4.29	4.84	4.23	5.29	4.18	5.74	4.13	6.19		
	1750	5.04	1.90	4.96	2.36	4.88	2.82	4.81	3.28	4.74	3.74	4.69	4.20	4.63	4.66	4.58	5.12	4.52	5.58	4.48	6.04	4.44	6.50		
	1840	5.31	2.07	5.24	2.56	5.17	3.05	5.11	3.54	5.07	4.03	4.99	4.52	4.93	5.01	4.88	5.50	4.82	5.99	4.78	6.48	4.73	6.97		
	1930	5.61	2.27	5.54	2.78	5.46	3.29	5.40	3.80	5.33	4.31	5.28	4.82	5.22	5.33	5.17	5.84	5.11	6.35	5.06	6.86	—	—		
Corresponding motor output		2.2kW				3.7kW				5.5kW				7.5kW				—							
RSR-100 (100)	1070	4.51	1.20	4.37	1.70	4.22	2.20	4.09	2.70	3.96	3.20	3.83	3.70	3.75	4.20	3.67	4.70	3.58	5.20	3.50	5.70	3.42	6.20		
	1160	5.00	1.42	4.85	1.95	4.69	2.49	4.56	3.03	4.43	3.56	4.33	4.10	4.23	4.64	4.15	5.17	4.06	5.71	3.98	6.25	3.90	6.78		
	1240	5.45	1.56	5.29	2.13	5.12	2.70	4.99	3.27	4.86	3.84	4.76	4.41	4.66	4.98	4.57	5.55	4.48	6.12	4.40	6.69	4.32	7.26		
	1320	5.97	1.64	5.82	2.27	5.66	2.89	5.54	3.52	5.41	4.14	5.31	4.77	5.21	5.39	5.12	6.02	5.02	6.64	4.94	7.27	4.86	7.89		
	1480	6.67	1.77	6.53	2.47	6.39	3.13	6.28	3.86	6.17	4.49	6.08	5.25	5.99	5.85	5.92	6.64	5.84	7.21	5.77	8.03	5.70	8.57		
	1580	7.14	1.92	7.01	2.66	6.88	3.37	6.77	4.13	6.66	4.83	6.58	5.60	6.49	6.28	6.42	7.07	6.34	7.74	6.27	8.54	6.20	9.19		
	1700	7.71	2.09	7.59	2.88	7.47	3.66	7.37	4.45	7.26	5.23	7.19	6.02	7.11	6.80	7.03	7.59	6.94	8.37	6.88	9.16	6.82	9.93		
	1790	8.12	2.24	8.01	3.12	7.90	3.89	7.80	4.71	7.70	5.53	7.63	6.36	7.55	7.13	7.48	8.00	7.40	8.82	7.33	9.65	7.26	10.46		
	1890	8.58	2.41	8.48	3.28	8.38	4.14	8.29	5.01	8.19	5.87	8.12	6.74	8.05	7.60	7.98	8.47	7.90	9.33	7.83	10.20	7.76	11.06		
	2010	9.19	2.56	9.09	3.49	9.00	4.41	8.91	5.34	8.82	6.26	8.76	7.19	8.70	8.11	8.64	9.04	8.58	9.96	8.53	10.89	8.47	11.81		
Corresponding motor output		3.7kW				5.5kW				7.5kW				11kW				15kW							
RSR-125 (125)	980	6.41	1.80	6.26	2.46	6.12	3.12	5.98	3.78	5.86	4.44	5.74	5.10	5.63	5.76	5.52	6.42	5.43	7.08	5.34	7.74	5.26	8.40		
	1050	6.93	2.10	6.77	2.79	6.63	3.48	6.50	4.17	6.37	4.86	6.25	5.55	6.14	6.24	6.04	6.93	5.94	7.62	5.86	8.31	5.78	9.00		
	1200	7.94	2.70	7.79	3.48	7.65	4.25	7.53	5.03	7.40	5.80	7.29	6.58	7.18	7.35	7.07	8.13	6.98	8.90	6.89	9.68	6.81	10.45		
	1310	8.70	3.10	8.58	3.95	8.47	4.80	8.37	5.65	8.27	6.50	8.17	7.35	8.07	8.20	7.98	9.05	7.89	9.90	7.81	10.75	7.73	11.60		
	1410	9.40	3.39	9.28	4.31	9.17	5.22	9.06	6.13	8.96	7.04	8.86	7.95	8.76	8.86	8.67	9.77	8.58	10.68	8.50	11.59	8.42	12.50		
	1470	9.83	3.69	9.71	4.64	9.60	5.59	9.50	6.53	9.40	7.48	9.30	8.42	9.21	9.36	9.12	10.31	9.03	11.25	8.95	12.19	8.88	13.14		
	1550	10.44	3.90	10.31	4.90	10.19	5.90	10.07	6.90	9.96	7.90	9.86	8.90	9.76	9.90	9.67	10.90	9.58	11.90	9.50	12.90	9.43	13.90		
	1650	11.13	4.40	11.00	5.48	10.87	6.56	10.76	7.64	10.65	8.72	10.55	9.80	10.45	10.88	10.36	11.96	10.28	13.04	10.20	14.12	10.14	15.20		
	1770	11.92	4.90	11.79	6.02	11.68	7.14	11.57	8.26	11.47	9.38	11.37	10.50	11.28	11.62	11.20	12.74	11.13	13.86	11.06	14.98	11.00	16.10		
	1880	12.63	5.40	12.50	6.58	12.39	7.76	12.28	8.94	12.18	10.12	12.08	11.30	11.99	12.48	11.91	13.66	11.83	14.84	11.76	16.02	11.70	17.20		
Corresponding motor output		5.5kW				7.5kW				11kW				15kW				18.5kW							
RSR-150 (150)	810	12.90	2.91	12.65	3.75	12.42	4.59	12.21	5.54	12.02	7.50	11.85	8.89	11.69	10.27	11.53	11.60	13.38	12.93	11.25	14.06	11.14	15.19		
	870	14.13	3.13	13.84	4.51	13.58	5.90	13.33	7.12	13.10	8.67	12.89	10.05	12.69	11.43	12.51	12.82	12.34	14.20	12.19	15.59	12.05	16.97		
	990	15.92	3.34	15.67	4.90	15.44	6.46	15.22	8.02	15.0															

Pumps and Wastewater Treatment Equipment

Tsurumi can supply pumps and wastewater treatment equipment as a total package.

Sewage & Wastewater Pump

B / BZ series

Discharge Bore : 50-350 mm
Motor Output : 0.4-75 kW



Jet Aerator

BER series

Air-inlet Bore : 25-50 mm
Motor Output : 0.75-5.5 kW



Aerator

TRN series

Air-inlet Bore : 32-150 mm
Motor Output : 0.75-40 kW



Mixer

MR series

Flow Rate : 1.4-42 m³/min
Motor Output : 0.25-7.5 kW



Floating Scum Skimmer

FSP series

Discharge Bore : 50 mm
Motor Output : 0.4-0.75 kW



Floating Decanter

FHP series

Discharge Bore : 40-80 mm
Motor Output : 0.25-1.5 kW



Dehydrator

MDQ / MDC / JD series

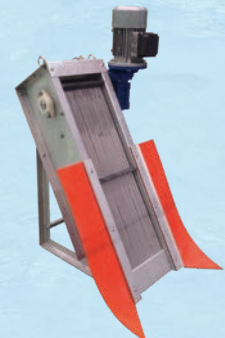
Treating Capacity : 3-216 kgDS/h
Total Motor Output : 0.6-3.15 kW



Bar Screen

KW series

Bar Spacing : 1-50 mm
Motor Output : 0.09 kW



We reserve the right to change the specifications and designs without prior notice. The OO series and model OO are indicated with our series/model codes in this catalog.

TSURUMI
MANUFACTURING CO., LTD.

www.tsurumi-global.com



Your Dealer